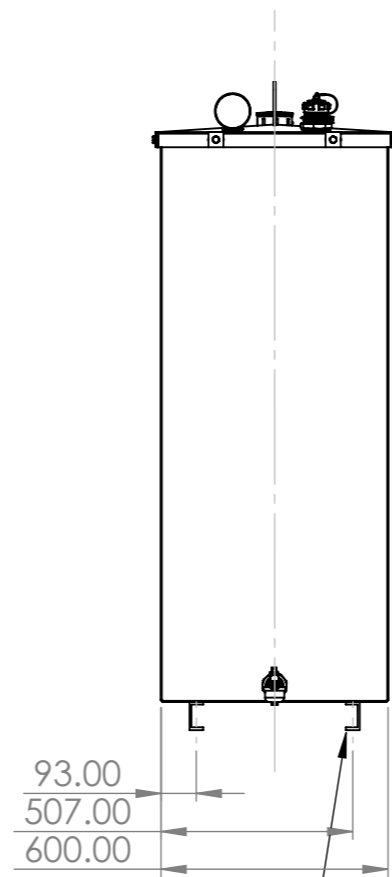
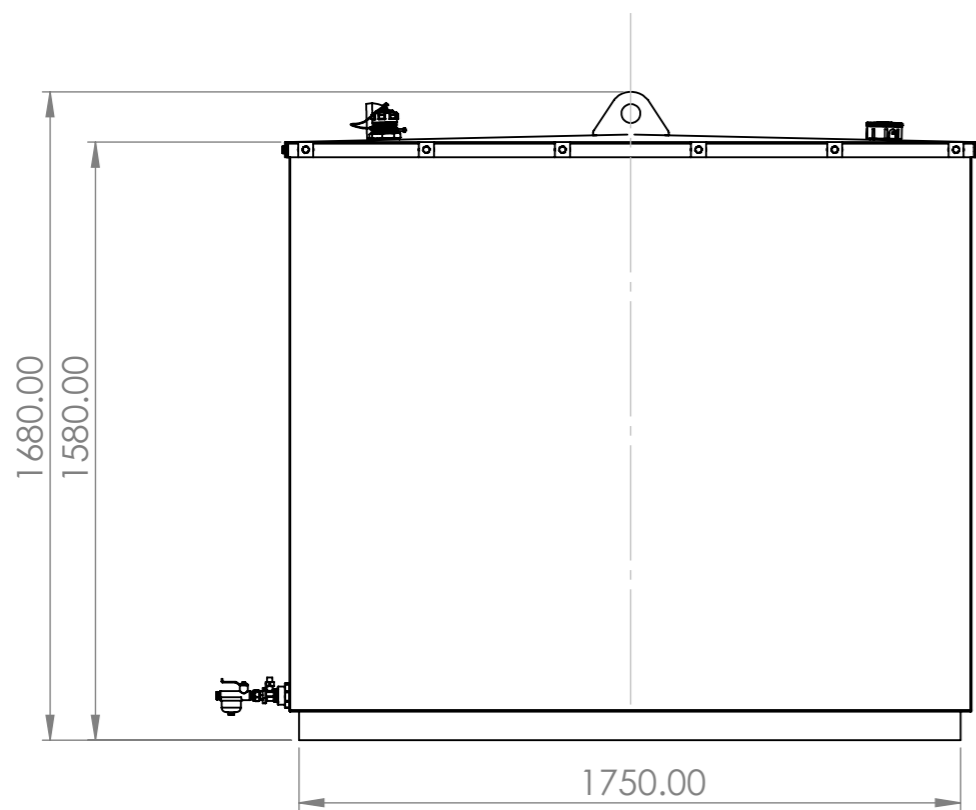
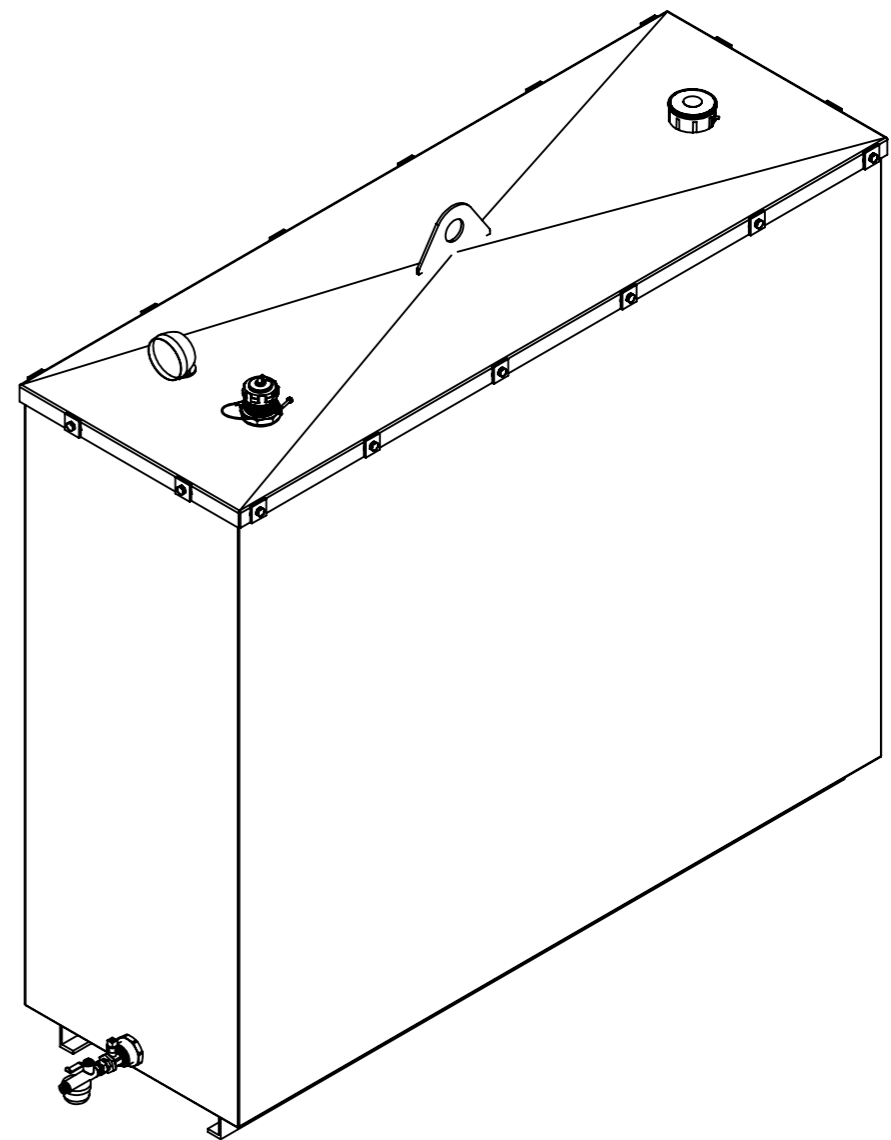
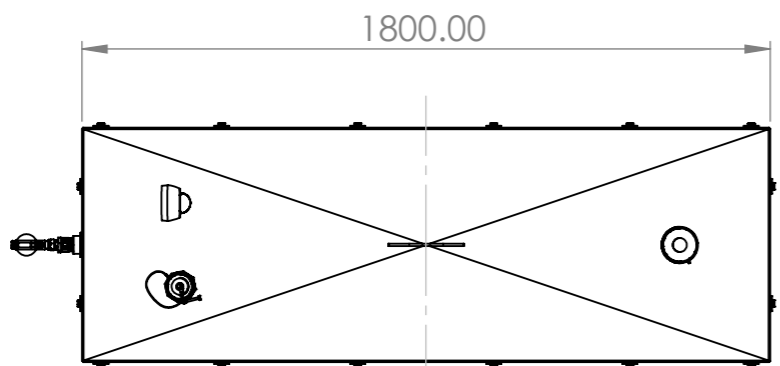


# 1000 LITRE STEEL BUNDED



2 X CHANNEL RUNNERS



NOTES: 1000L MAX CAPACITY

	NAME	SIGNATURE	DATE	IF IN DOUBT-ASK!	REVISION: A
DRAWN	MITCHELL S.	<i>MS</i>	04/09/2023	TITLE:	
CHK'D				1000 LITRE STEEL BUNDED	
APPV'D					

**tuffa**<sup>®</sup> DESIGN FUNCTION PERFORMANCE

Tuffa UK Ltd  
Dovefields Industrial Estate  
Derby Road, Uttoxeter  
Staffs ST14 8SW, UK



MATERIAL:  
STEEL

WEIGHT: 320KG

**A3**

UNLESS OTHERWISE SPECIFIED:  
DIMENSIONS ARE IN MILLIMETERS  
SURFACE FINISH:  
TOLERANCES:  
LINEAR: ± 0.1mm  
ANGULAR: ± 0.1 deg

PROCESS:

SURFACE FINISH

CONFIDENTIAL / CLASSIFIED  
THIS DRAWING AND INFORMATION WITHIN ARE PROPRIETARY TO TUFFA TANKS LTD AND ISSUED IN STRICT CONFIDENCE ON THE CONDITION THAT THIS DRAWING AND ANY INFORMATION THEREIN SHALL NOT BE COPIED, USED FOR MANUFACTURE OR SALE, ©TUFFA UK LTD ALL RIGHTS RESERVED

DWG NO. 0001

SHEET 1 OF 1

DO NOT SCALE DRAWING